

# DAB/FM DIGITAL RADIO

## Operating Instructions

### DAB

Digital Audio Broadcasting

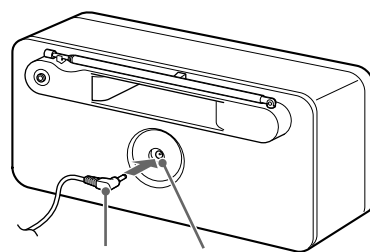
## XDR-S10DAB

© 2007 Sony Corporation Printed in China

<http://www.sony.net/>

### A

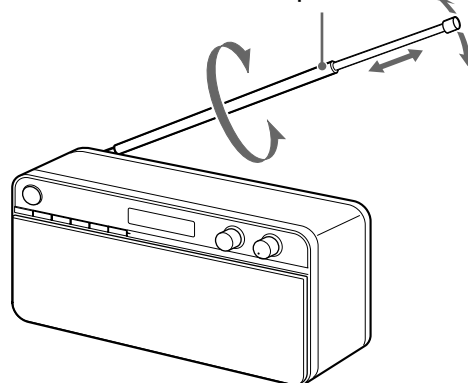
Rear



AC power adaptor (supplied) DC IN 6V

### B

Telescopic antenna



## WARNING

To reduce the risk of fire or electric shock, do not expose this apparatus to rain or moisture.

To avoid electrical shock, do not open the cabinet. Refer servicing to qualified personnel only.

Do not install the appliance in a confined space, such as a bookcase or built-in cabinet.

To reduce the risk of fire or electric shock, do not place objects filled with liquids, such as vases, on the apparatus. Connect the AC power adaptor to an easily accessible AC outlet. Should you notice an abnormality in the AC power adaptor disconnect it the AC outlet immediately.

**Notice for the customer in the countries applying EU Directives**

The manufacturer of this product is Sony Corporation, 1-7-1 Konan, Minato-ku, Tokyo, Japan. The Authorized Representative for EMC and product safety is Sony Deutschland GmbH, Hedelfinger Strasse 61, 70327 Stuttgart, Germany. For any service or guarantee matters please refer to the addresses given in separate service or guarantee documents.

## Features

- 20 station presets (10 DAB, 10 FM)
- Wooden Box design
- Easy to use simple operation
- Stereo speakers
- 16 × 2 lines character dot display for text information
- AC operation (AC adaptor supplied)

## Using House Current (See fig. A)

Connect the Sony AC power adaptor (supplied) to the DC IN 6 V jack firmly, and plug it into a wall outlet.

**Note on the AC power adaptor**

Use the supplied Sony AC power adaptor only. The polarity of the plugs of other manufacturers may be different. Failure to use the supplied AC power adaptor may cause the unit to malfunction.



## Initial setting for the unit

When the AC power adaptor is plugged in for the first time after purchase (or after resetting), do the following.

### 1 Plug in the unit.

“Setting clock...” appears in the display, and DAB data adjust the clock as it is received. When finished, the current time appears in the display.

Setting clock...

### 2 Press **POWER** to turn on the radio.

The unit will automatically scan and create a list of receivable DAB broadcasts.

Sony DAB Radio  
■■■■■■■■■■

**Note**

If no broadcasts are found by the DAB scan, “No Stations available” appears in the display.

## Set the clock

Do the following if DAB broadcast is not available (depending on area). The time setting mode by DAB becomes invalid.

- 1 Press **MENU** and turn **TUNE/SELECT** to select the “Set clock,” and then press **ENTER**. The hour indication will be displayed as follows.

+ + or ENTER  
Time +08+:56

- 2 Turn **TUNE/SELECT** to set the hour, and then press **ENTER**.

- 3 Repeat step 2 to set the minute, year, month and day. After setting the time, the clock starts from 0 seconds.

### Notes

- If you do not operate within 7 seconds while setting the clock, the clock setting mode will be cancelled.
- Setup time for this operation is adjusted automatically when the customer operates the set while receiving DAB service.
- The clock system of this unit is 24-hour system (“0:00” = midnight).

## Time adjustment about Summer time

This unit’s time adjustment will be done only when receiving DAB service. Receive DAB service for at least one minute to renew the time into Summer time.

## Improving the reception (See fig. B)

**DAB Band-III/FM:**

Extend the telescopic antenna and adjust the length and the angle for best reception.

**Note**

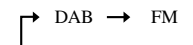
Adjust the direction of the antenna by holding the bottom of it. The antenna can be damaged when you move the antenna with excessive force.



## Operating the radio

The unit can receive DAB services and FM stations.

- 1 Press **POWER** to turn on the radio. When the unit is turned on again, the last band you listened to is received.
- 2 Press **DAB/FM** repeatedly to select the desired band. Each press changes the band as follows:



- 3 Turn **TUNE/SELECT** to tune to the desired service or station. If you are selecting DAB, press **ENTER**.
- 4 Adjust the volume using **VOLUME**.

**Note in FM usage**

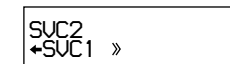
The frequency step is set to 0.05 MHz on FM.

**Notes in DAB usage**

- If there are no services, you can choose only MANUAL mode.
- “No Stations available” appears when the ensemble for the selected service cannot be received.

## About the SC (Secondary Component)

If the selected primary component has a secondary component, “>>” appears in the display.



Turn **TUNE/SELECT** and **ENTER** to receive the desired secondary component. “<<” appears while the secondary component is received.

**Note**

When the selected secondary component is finished, the unit returns automatically to the primary component.

## To listen with the headphones

You can enjoy the radio and external equipment connected to the line in by the headphones (not supplied). Connect the headphones (not supplied) to the (headphones) jack. The speaker is deactivated when the headphones are connected.

## Presetting your favourite services or stations

You can preset 10 services in DAB and 10 stations in FM.

### Presetting services or stations

- 1 Follow steps 1 to 3 in “Operating the radio” and manually tune in to the broadcast you wish to preset.
- 2 Press **PRESET**.
- 3 Turn **TUNE/SELECT** to select the favourite number to preset, then press and hold **PRESET**. “saved” appears for 7 seconds in the display and the service or station is stored. (DAB services are stored with a service label.)

**Notes**

- To preset another service or station, repeat these steps.
- To change the preset service or station, tune in to the desired service or station and repeat steps 2 and 3. The new service or station will replace the previous service or station.
- When the service or station is not registered, “Empty preset” appears in the display.
- If you do not operate within 7 seconds during the above steps, the current mode will be cancelled.

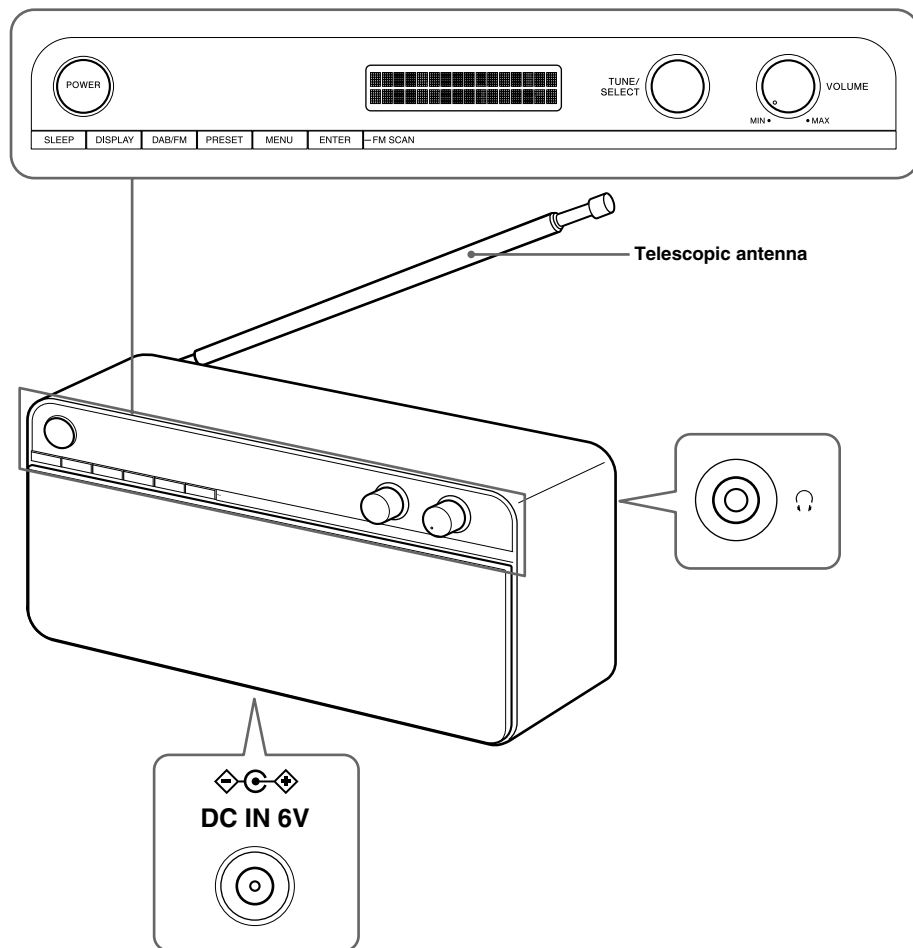
### Tuning in to a preset service or station

- 1 Press **PRESET**.
  - 2 Turn **TUNE/SELECT** to select the desired preset station and then press **ENTER**.
- Notes**
- When the service or station is not registered, “Empty preset” appears in the display.
  - If you do not operate within 7 seconds during the above steps, the current mode will be cancelled.

## Scan tuning (for FM)

The unit will automatically scan FM station.

- 1 Press **POWER** to turn on the radio.
- 2 Press **DAB/FM** to select the FM band.
- 3 Turn **TUNE/SELECT** to choose the direction, and then press **ENTER•FM SCAN**.  
Turn right : Scans to the higher frequency.  
Turn left : Scans to the lower frequency.  
Scanning starts from the frequency being tuned in. When a station is received, scanning stops.
- 4 If necessary, turn **TUNE/SELECT** to tune in to the station more precisely.
- 5 Adjust the volume using **VOLUME**.



## Setting the Sleep Timer

You can enjoy falling asleep to the radio using the built-in sleep timer that turns off the radio automatically after a preset duration.

- Press **SLEEP** while the unit is turned on. “Sleep” appears in the display.

Sleep +60 minutes	→
----------------------	---

- Press **SLEEP** to set the sleep timer duration. Each time you press **SLEEP**, the duration changes as follows:

→ 60 → 45 → 30 → 15 → OFF
---------------------------

The unit automatically turns off when the duration time is passed. Press **ENTER** or 7 seconds after you have finished setting the duration setting and released **SLEEP**, “activated” appears in the display and then the sleep timer starts. The unit will play for the duration you set, and then shut off.

### To change the Sleep Timer setting

Repeat step **2** to select the desired sleep timer setting even after the sleep timer has been activated.

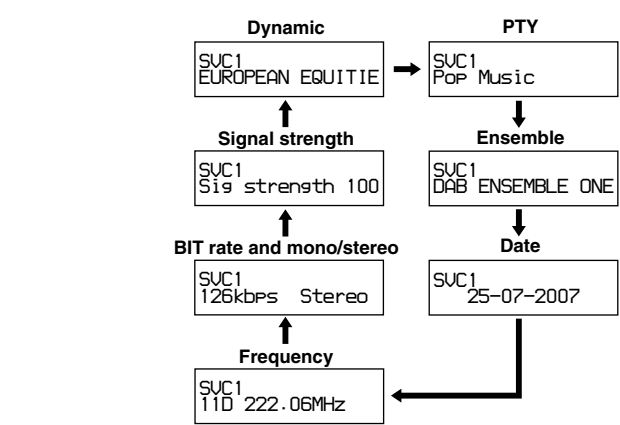
### To deactivate the Sleep Timer

- Press **POWER**, the unit will turn off.
- Press **SLEEP** to set the sleep timer “OFF;” only the sleep timer will be cancelled (the radio keeps ON).

## Other useful functions for DAB

### Changing the display

To change the display mode, press **DISPLAY** during DAB reception. The selected display mode remains even if you turn the unit off and on again, or change the band. The display can be up to 16 characters long. Each time you press **DISPLAY**. The bottom in a display changes as follows:



### Station order

This function enables you to choose how the stations are arranged when selecting a station. There are 4 modes available Alphanumeric, Favourite station, Active stations and Trim stations.

- Alphanumeric(default):
  - To select a stored service in alphabetical order.
- Favourite:
  - When this setting is switched on, after a period of time the most listened to stations will move to the top of the station list and will be marked with the heart symbol.
  - Your ten favourite stations will be displayed.
- Active stations:
  - When this setting is switched on the display will show only those that a signal can be found for.
- Trim stations:
  - When this setting is switched on the unit will delete the stations that are not currently being received.

- Follow steps **1** and **2** in “Operating the radio” and select DAB.
- Press **MENU** and turn **TUNE/SELECT** to select “Station order;” and then press **ENTER**.
- Turn **TUNE/SELECT** to select the desired mode, and then press **ENTER**.

### Manual tune

This function allows you to tune and add the various DAB Band-III channels to your station list. UK DAB stations located in the range 11B to 12D. This function can be used to assist the positioning of the antenna or the unit to obtain the optimum reception for a specific channel / frequency.

- Follow steps **1** and **2** in “Operating the radio” and select DAB.
- Press **MENU** and turn **TUNE/SELECT** to select “Manual tune;” and then press **ENTER**.
- Turn **TUNE/SELECT** to select the desired DAB channel, and then press **ENTER**.
  - The signal strength bars will go up and down showing the changing signal strength as you adjust the reception.
- Press **ENTER**.
  - A new DAB channel is added to the station list.

### DRC Value (DYNAMIC RANGE CONTROL)

DRC can make quieter sounds easier to hear when the unit is used in a noisy environment. When DAB broadcasts in dynamic range compression, you can adjust the dynamic range by this unit.

- Follow steps **1** and **2** in “Operating the radio” and select DAB.
- Press **MENU** and turn **TUNE/SELECT** to select “DRC value” and then press **ENTER**.
- Turn **TUNE/SELECT** to select the DRC level.

The DRC level changes as follows:

→ 0(default) ←←→ 1/2 ←→ 1 ←
-----------------------------

- Press **ENTER**.

**Notes**

- DRC is effective only in dynamic range compression broadcast.
- When you adjusted the DRC level, volume can be heard more loudly.

### Autoscan UK / Autoscan full

These function allows you to automatically scan and create a list of receivable DAB broadcasts. If you use this unit in the UK, “Autoscan UK” is recommended.

- Follow steps **1** and **2** in “Operating the radio” and select DAB.
- Press **MENU** and turn **TUNE/SELECT** to select “Autoscan UK” or “Autoscan full;” and then press **ENTER**.
  - “Scanning” appears in the display, scan and create a list of receivable DAB broadcasts.

Autoscan takes about 30 - 90 seconds. When finished, the unit receives a stored service in alphabetical order (see “Station order”).

## PTY (Programme Type)

This function indicates services in programme type, such as NEWS, SPORTS of the PTY list, transmitted in the DAB.

If the received service or station does not transmit the programme type, “NO PTY Data” appears.

Programme type	Display
Undefined	None
News	News
Current Affairs	Current Affairs
Information	Information
Sport	Sport
Education	Education
Drama	Drama
Culture	Cultures
Science	Science
Varied	Varied Speech
Pop Music	Pop Music
Rock Music	Rock Music
Easy Listening Music	Easy Listening
Light Classical	Light Classics M
Serious Classical	Serious Classics
Other Music	Other Music
Weather	Weather & Metr
Finance	Finance
Children’s programmes	Children’s Progs
Social Affairs	Social Affairs
Religion	Religion
Phone In	Phone In
Travel	Travel & Touring
Leisure	Leisure & Hobby
Jazz Music	Jazz Music
Country Music	Country Music
National Music	National Music
Oldies Music	Oldies Music
Folk Music	Folk Music
Documentary	Documentary

## Other useful functions

### To display the softwear version

Press **MENU** and turn **TUNE/SELECT** to select “Sw version.” The current softwear version of the unit appears in the display.

### To reset the unit

When the radio fails to function properly, follow as:

- Press and hold **MENU** and **ENTER** at the same time for a few seconds.
  - “Press **ENTER** to confirm reset” appears in the display.
- Press **ENTER**.
  - The clock settings, the services and stations you have preset, etc., will revert to the factory preset.

## Precautions

- Operate the unit only on the power sources specified in “Specifications”. For AC operation, use only the supplied AC power adaptor. Do not use any other type of AC power adaptor.
- The unit is not disconnected from the AC power source (mains) as long as it is connected to the wall outlet, even if the unit itself has been turned off.
- Disconnect the AC power adaptor from the wall outlet when the unit is not to be used for a long period of time.
- Use the unit within a temperature range of 0°C to 40°C (32°F to 104°F). If it is used in temperatures higher than this range, numbers may appear in the display which have nothing to do with the frequency being received. If it is used in temperatures lower than this range, the numbers displayed may change very slowly. (These irregularities will disappear and there will be no damage to the unit when the unit is used in the recommended temperature range.)
- The nameplate indicating operating voltage, etc. is located on the rear exterior.
- Avoid exposure to temperature extremes, direct sunlight, moisture, sand, dust or mechanical shock. Never leave in a car parked in the sun.
- Should any solid object or liquid fall into the unit, disconnect the AC power adaptor, and have the unit checked by a qualified personnel before operating it any further.
- Allow adequate air circulation to prevent internal heat build-up. Do not place the unit on a surface (a rug, blanket, etc.) or near materials (a curtain) that might block the ventilation holes.
- Since a strong magnet is used for the speakers, keep away personal credit cards using magnetic coding or spring-wound watches from the unit to prevent possible damage from the magnet.
- To clean the casing, use a soft cloth dampened with a mild detergent solution.



**Disposal of Old Electrical & Electronic Equipment (Applicable in the European Union and other European countries with separate collection systems)**

This symbol on the product or on its packaging indicates that this product shall not be treated as household waste. Instead it shall be handed over to the applicable collection point for the recycling of electrical and electronic equipment. By ensuring this product is disposed of correctly, you will help prevent potential negative consequences for the environment and human health, which could otherwise be caused by inappropriate waste handling of this product. The recycling of materials will help to conserve natural resources. For more detailed information about recycling of this product, please contact your local Civic Office, your household waste disposal service or the shop where you purchased the product.

**If you have any questions or problems concerning your unit, please consult your nearest Sony dealer.**

## Troubleshooting

Should any problem persist after you have made the following checks, consult your nearest Sony dealer.

**Display is dim, or no indication is displayed.**

- The unit is being used in extremely high or low temperatures or in a place with excessive moisture.

**Very weak or interrupted sound, or unsatisfactory reception.**

- If you are in a building, listen near a window.

**A station or service cannot be received when a PRESET recalls.**

- The station or service has not been preset.
- Another station or service is preset. Preset the station or service again.

The preset services and stations may be initialized, if a maintenance service is performed. Please note down of your settings in case you want to preset them again.

## Specifications

<b>Time display</b>		
24-hour system		
<b>Frequency range</b>		
<b>Band</b>	<b>Frequency</b>	<b>Channel step</b>
DAB (Band-III)	174.928 - 239.200 MHz	
FM	87.5 - 108 MHz	0.05 MHz

<b>DAB (Band-III) frequency table</b>					(MHz)
<b>No.</b>	<b>Channel</b>	<b>Frequency</b>	<b>No.</b>	<b>Channel</b>	<b>Frequency</b>
1	5A	174.928	20	9D	208.064
2	5B	176.640	21	10A	209.936
3	5C	178.352	22	10B	211.648
4	5D	180.064	23	10C	213.360
5	6A	181.936	24	10D	215.072
6	6B	183.648	25	11A	216.928
7	6C	185.360	26	11B	218.640
8	6D	187.072	27	11C	220.352
9	7A	188.928	28	11D	222.064
10	7B	190.640	29	12A	223.936
11	7C	192.352	30	12B	225.648
12	7D	194.064	31	12C	227.360
13	8A	195.936	32	12D	229.072
14	8B	197.648	33	13A	230.784
15	8C	199.360	34	13B	232.496
16	8D	201.072	35	13C	234.208
17	9A	202.928	36	13D	235.776
18	9B	204.640	37	13E	237.488
19	9C	206.352	38	13F	239.200

<b>Speaker:</b>
Approx. 6.6 cm (2 ⅝ in) dia. 4 Ω
<b>Power output:</b>
0.8 W + 0.8 W (at 10 <span> </span> % harmonic distortion)
<b>Output:</b>
↕ (headphones) jack (ø 3.5mm stereo mini jack)
<b>Power requirements:</b>
6 V DC
<b>External power source:</b>
DC IN 6 V
<b>Dimensions:</b>
Approx. 270 × 140 × 112 mm (w/h/d)
(Approx. 10 ¾ × 5 ⅝ × 4 ½ inches) incl. projecting parts and controls
<b>Mass:</b>
Approx. 1.7 kg (60 oz)
<b>Supplied accessories:</b>
AC power adaptor (1)

Design and specifications are subject to change without notice.